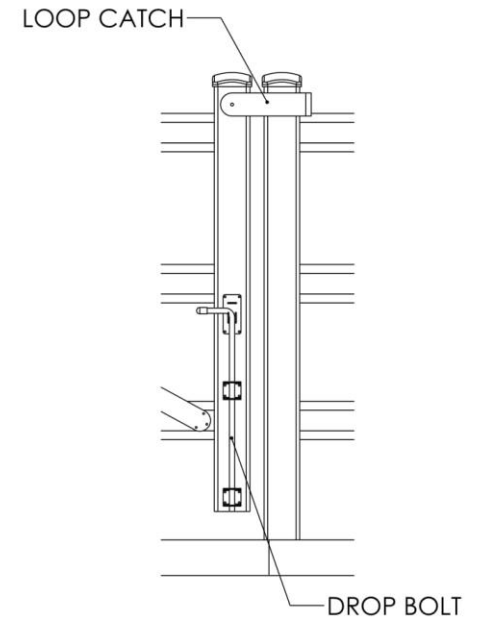


VERSION: 1 - 08.2018

PAGE: 51

DURALOCK FENCING LTD
RESERVE THE RIGHT TO ALTER
SPECIFICATIONS WITHOUT
NOTICE

ALL DIMENSIONS ARE
NOMINAL PLEASE CHECK IF
CRITICAL



CONTACT

t: +44 (0)1608 678238

e: SALES@DURALOCK.COM

w: WWW.DURALOCK.COM

COMPONENTS:

- GATE
- DOUBLE HANGING POST
- GROUND FIXING

- CLOSING POST
- DROP BOLT KIT
- LOOP CATCH

DURALOCK (UK) LTD
ENSTONE BUSINESS PARK
ENSTONE
OXFORDSHIRE
OX7 4NP