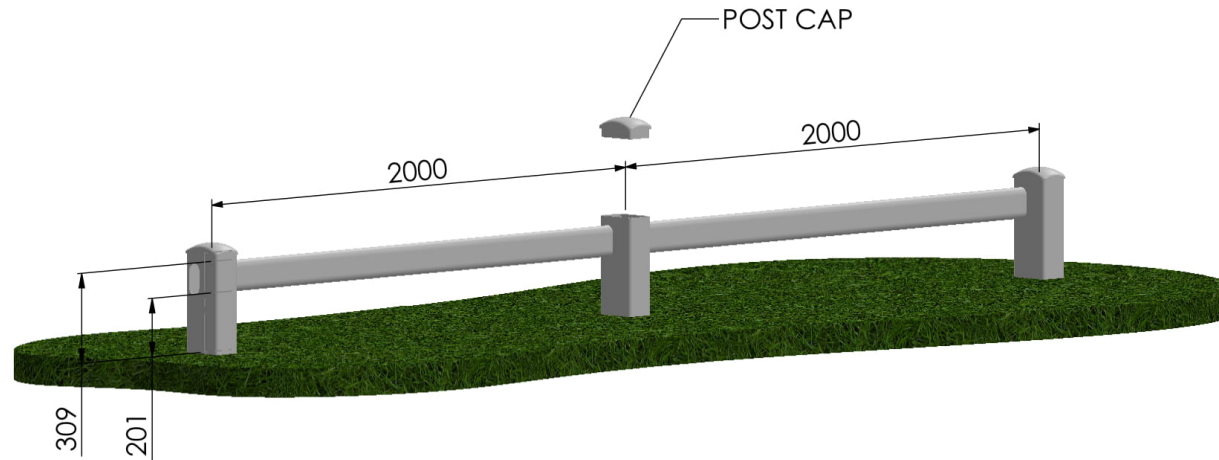


VERSION: I - 08.2018

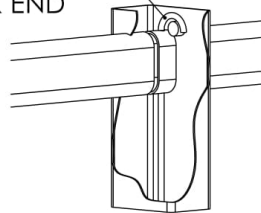
PAGE: 30

DURALOCK FENCING LTD
RESERVE THE RIGHT TO ALTER
SPECIFICATIONS WITHOUT
NOTICE

ALL DIMENSIONS ARE
NOMINAL PLEASE CHECK IF
CRITICAL

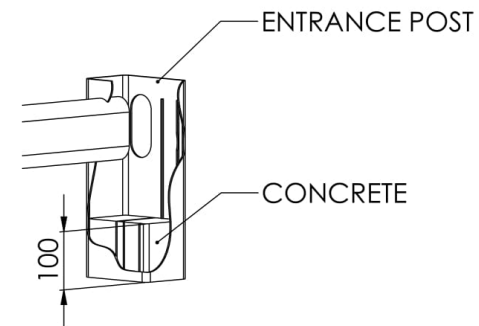


10mm ROD x
750mm LONG
WITH HOOK END



OPTION 1

FIXINGS



OPTION 2
(WEIGHTED POST - 6Kg)

COMPONENTS:

- 100MM X 150MM POST
- 100MM X 150MM POST CAP
- 108MM X 50MM RAIL
- PIN GROUND FIXING

DURALOCK (UK) LTD
ENSTONE BUSINESS PARK
ENSTONE
OXFORDSHIRE
OX7 4NP

CONTACT

t: +44 (0)1608 678238

e: SALES@DURALOCK.COM

w: WWW.DURALOCK.COM