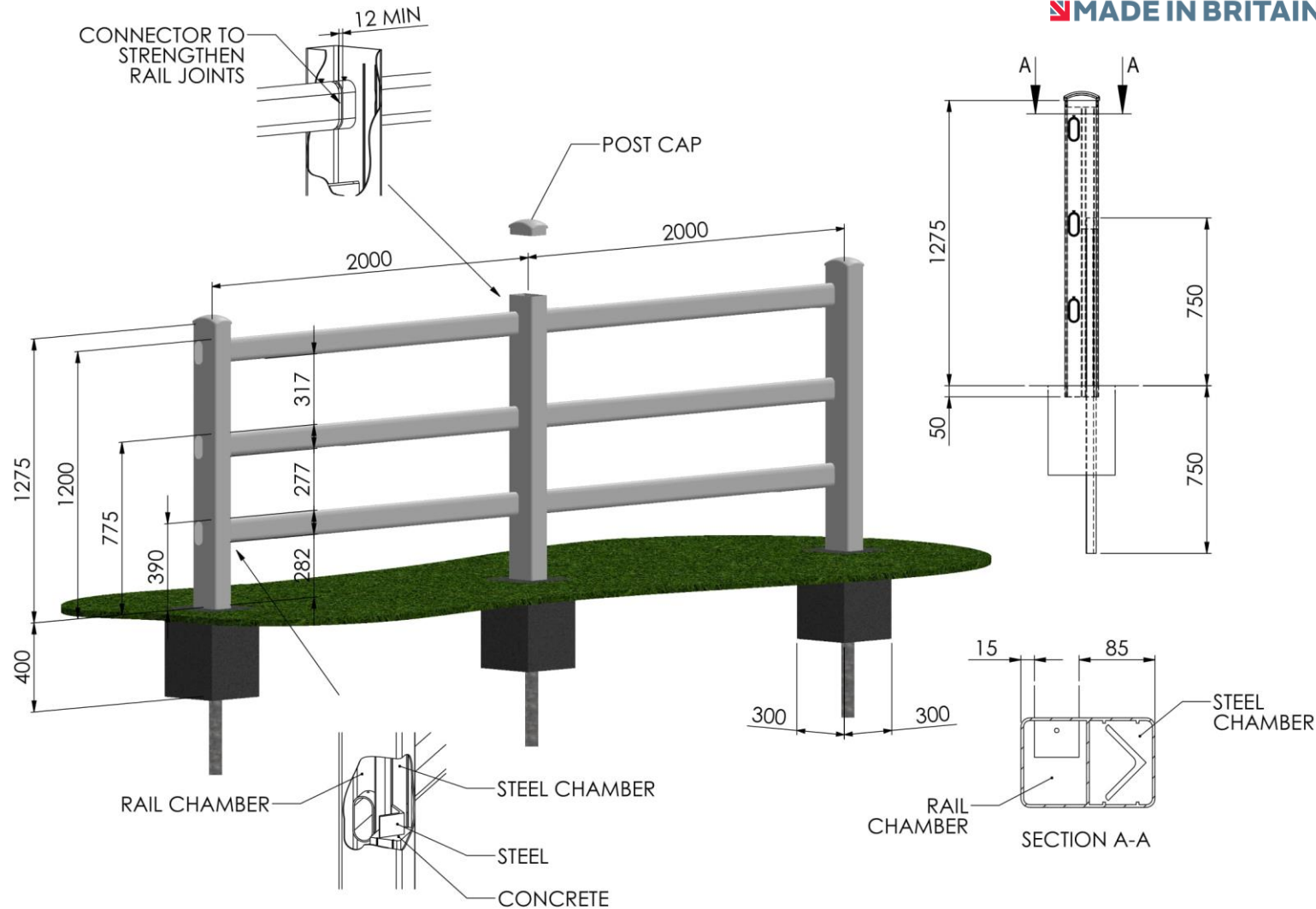


VERSION: 1 - 08.2018

PAGE: 16

DURALOCK FENCING LTD
RESERVE THE RIGHT TO ALTER
SPECIFICATIONS WITHOUT
NOTICE

ALL DIMENSIONS ARE
NOMINAL PLEASE CHECK IF
CRITICAL



CONTACT

t: +44 (0)1608 678238

e: SALES@DURALOCK.COM

w: WWW.DURALOCK.COM

COMPONENTS:

- 100MM X 150MM POST
- 108MM X 50MM RAIL
- 100MM X 150MM POST CAP
- 50MM X 50MM X 3MM, 1.5M LONG GROUND FIXING STEEL

DURALOCK (UK) LTD
ENSTONE BUSINESS PARK
ENSTONE
OXFORDSHIRE
OX7 4NP